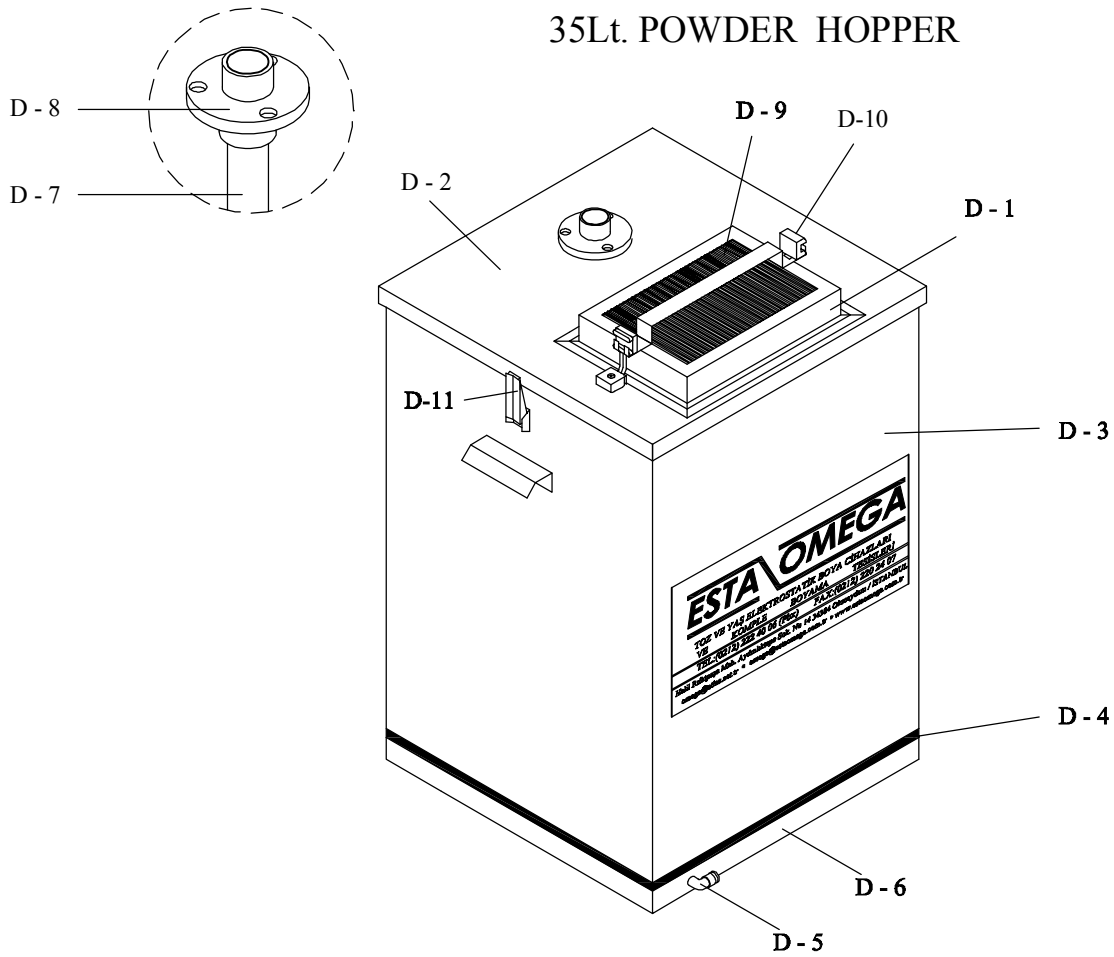


35Lt. POWDER HOPPER



NO	ORDER NO	DESCRIPTION	PIECE
D-1	M-03-D-20000	INSPECTION LID	1
D-2	-----	HOPPER LID	1
D-3	-----	HOPPER MAIN BODY	1
D-4	-----	FLUIDISING BED	1
D-5	M-YS-40005	FLUIDISING AIR INLET CONNECTION (1/8" ,4-6 ROTATED ELBOW)	1
D-6	-----	HOPPER BOTTOM	1
D-7	M-03-D-20006	PLUNGER SUCTION PIPE (Ø20mm)	1
D-8	-----	PLUNGER SUCTION HOLE (WITH - O-RING)	1
D-9	M-03-D-20100	PAPER FILTER	1
D-10	M-YS-10317	TIGHT RUBBER	2
D-11	M-EL-40017	LATCH	2