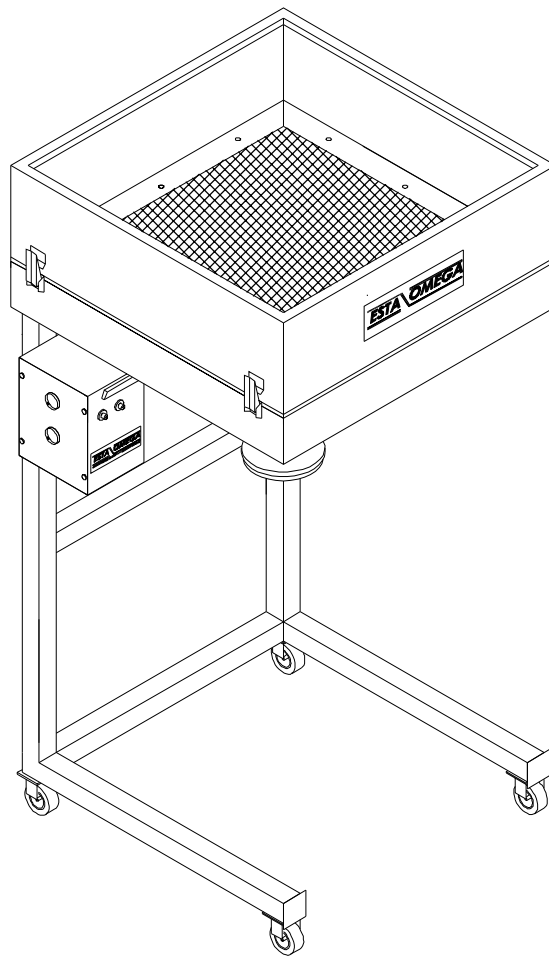


ESTA OMEGA

OM-400 MOBILE POWDER COATING SIEVE GROUP



OM-400 MOBILE POWDER COATING SIEVE

USER MANUEL

Put the electrical plug tu main. Fix the powder coating bag the pipe under the sieve .
Fill up the powder coating on top of the sieve not cover complete sieve screen.
. Push the start button on . Because of humidity could creat blokage of powder
so help manually to sieve it.

-For clean up process open the side clamps, take out the screen and clean up with vacum
cleaner later on with compressed air and wet cloth.

TECHNICAL SPECIFICATION

- 220 Volt 50 Hz.
- DC 24 Volt vibration motor
- Sieve capacity: 60kg/hour
- Sieve screen: 250 micron (400x400)mm dimension.
- Start-stop button
- Electrical cable:3 m